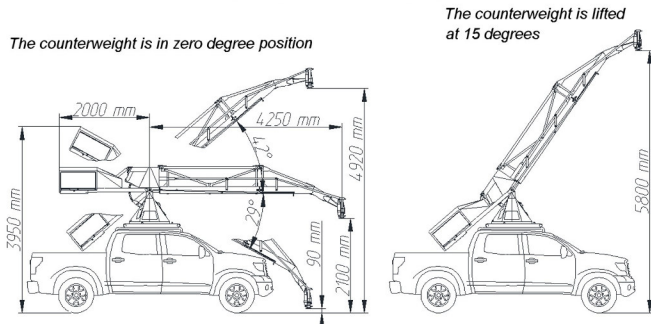


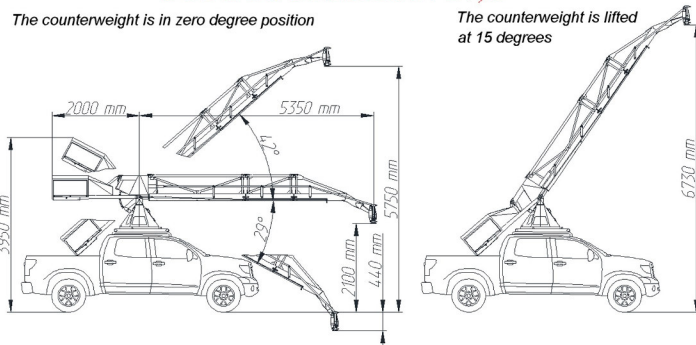
**Features:**

- Pan & tilt are gyrostabilized
- Different arm configurations are available: 3,15 m; 5,35 m; 6,45 m; 7,55 m.
- 360° panning capability
- Operating tilt angle: +42°; -29°
- Maximum jib tilt angle +62°; -62°
- Pan speed: 360°/4,5 sec
- Maximum payload weight: 85 kg
- Counterweight lifting height: ±0,3 m
- Counterweight lifting time: 10 sec
- Nominal voltage 60 VDC
- Waterproof IP65
- Limits speed and damping control are available from control panel
- Control panel is located inside the camera car
- Max. weight with maximum payload 790 kg
- Total weight without payload counterweight standard configuration 14': 275 kg

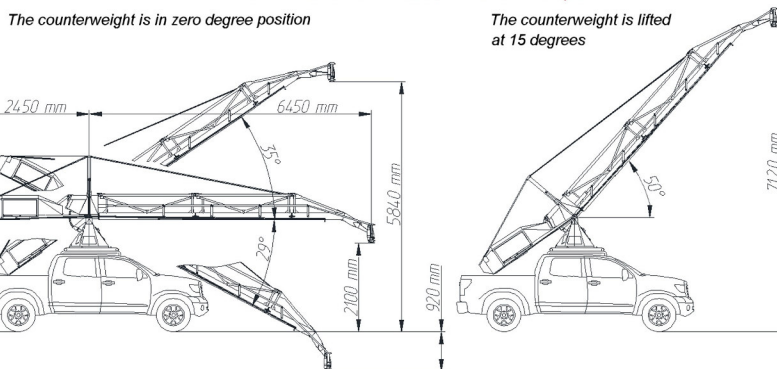
**STANDARD CONFIGURATION 14'**



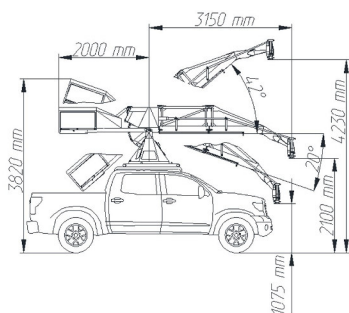
**CONFIGURATION 17,8'**



**CONFIGURATION 21,5'**



**CONFIGURATION 10,5'**



**SPECIAL CONFIGURATION 25'**

